

Unisto **Duplock**

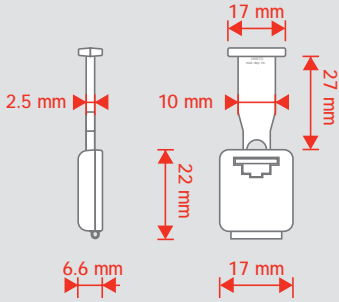
M 1:1

various colours

customer name / logo

easy to apply

weak point



Technical Data

materials:

tensile strength:

colours:

Version blind embossed

seal body: polypropylene (PP)
locking piece: polypropylene (PP)

ca. 110 N

seal body:

light blue, dark blue, red, apricot,
yellow, orange, mint, dark green, white,
light grey, black

locking piece:

light blue, dark blue, red, yellow,
orange, mint, dark green, white, light
grey, black

customer name/logo: blind embossed

numbering: not possible

packing: seal body: boxes of 2'000 seals

locking pieces: boxes of 2'000 seals

Version hot foil printed

seal body: styrene (SB)
locking piece: polypropylene (PP)

ca. 110 N

seal body:

light blue, dark blue, red, yellow,
orange, dark green, white

locking piece:

light blue, dark blue, red, yellow, orange, mint, dark green,
white, light grey, black

hot foil printed

6 digits

seal body: bags of 100 seals, boxes of 2'000 seals

locking pieces: boxes of 2'000 seals

Product Features

arrowhead design

various colours

customer name/logo

weak point

Customer Benefits

easy to apply
increases tamper-resistance

for logistical colour coding

clear identification

allows removal of seal without tool