



For metal containers

METAL TAB-SEAL® CAPS



Securely crimped, the metal Tab-Seal® Cap secures against undetected pilferage or substitution of the drum's contents. The Tab-Seal® Cap can be color-printed to your design.



Tri-Sure®
MORE THAN CLOSURES

Tab-Seal®

How does it protect?

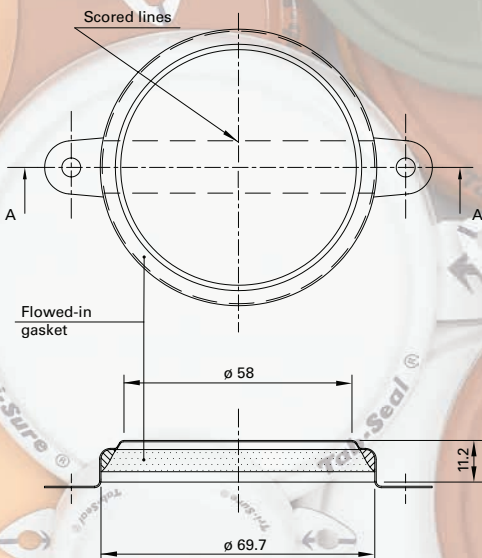
The tamper-evident metal Tab-Seal® Cap with flowed-in gasket is the most efficient commercial sealing device ever developed to protect drum contents.

Ensuring maximum security worldwide

Combined with Tri-Sure® More Than Closures' global network of sales and service centers, technical support and Tab-Seal® Cap tooling, the robust metal Tab-Seal® Cap really is the first choice for companies that value the ultimate solution for protecting hazardous or expensive contents.

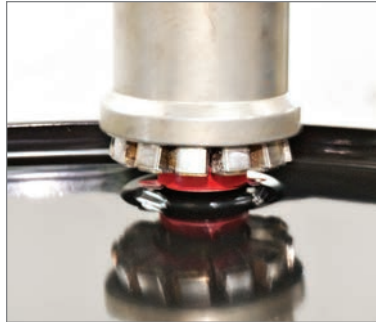
Highest sealing performance

Sealed correctly with the proper Tri-Sure® sealing tools, metal Tab-Seal® Caps will withstand large pressure changes including those resulting from impact.



Thoughtful design

Tri-Sure® closures 2" and ¾" Metal Tab-Seal® Caps are designed to work in perfect combination with the other components of the Tri-Sure® closures system to provide the best possible sealing solution.



Promoting your product

Metal Tab Seal® Caps can be printed with your company logo, promotional language or special instructions.

Ease of use

Application and authorized removal with Tri-Sure® More Than Closures Tab Seal® Cap tools is made even easier with our improved and even safer design

Maximum security

One of the metal Tab-Seal® Cap's greatest benefits is its ability to prevent undetected tampering, pilfering or substitution. And you can rest assured that Tri-Sure® More Than Closures will not distribute your proprietary design caps to third parties without your advance consent.

Full customer support

As expected of the world leader in industrial closure systems, we provide a complete system to support application and removal of Tab-Seal® Caps. A full range of manual and pneumatic tools are available to ensure proper fitting of metal Tab-Seal® Caps. Our technical staff can also offer practical advice on achieving maximum sealing and tamper-evident performance.

Options

- Full array of colors and custom designs is available.
- Yellow "pierced and domed" as venting standard.
- Additional anti-counterfeiting options available on request.

Advantages

- ✓ Proven and customizable design.
- ✓ Light, robust & reliable for a cost effective sealing solution.
- ✓ Compliant with food regulations.
- ✓ Consistent design for automatic filling line application.
- ✓ Maximum tamper-evidence.

For more information, samples or a quotation, please contact your Tri-Sure® More Than Closures worldwide Sales and Support center. *Tri-Sure®, Tab-Seal®, 4s®, UNI-GRIP®, ULTRA-BOND®, Poly-Vent®, Plastirob®* are registered trademarks.

www.tri-sure.com

Tri-Sure®
MORE THAN CLOSURES